

SPECIFICATIONS

3D

X-ray source	High frequency, rotating anode: 110 kV; 1-20 mA (pulsed mode)					
Focal spot	0.3mm					
Acquisition technique	Single scan and Cone Beam acquisition SafeBeam™ control reduces radiation based on patient size					
Scan time	18s to 36s					
X-ray emission time	2,4s to 7,3s					
Image acquisition	240/360/480 images – 360 degree rotation					
Image detector	Amorphous silicon flat panel, 20 cm x 25 cm Field of View (7.87 in x 9.84 in)					
Signal grey scale	14-bit scanning, 16-bit reconstruction					
Multiples scan modes	FOV sizes D x H		Voxel size options (µm)			
	Centimeters	Inches				
Standard Scan	18 x 16	7.09x6.30	300	250	200	150
–	15 x 12	5.90 x 4.72	300	250	200	150
Boosted Scan	12 x 8	4.72 x 3.14	300	250	200	150
	8 x 8	3.14 x 3.14	300	250	200	150
HiRes Scan	15 x 5	5.90 x 1.97	150	125	100	75
	12 x 8	4.72 x 3.14	150	125	100	75
	8 x 8	3.14 x 3.14	150	125	100	75
	6 x 6	2.36 x 2.36	150	125	100	75
Patient positioning	Supine		Motorized patient table + laser			
Reconstruction time	Less than 1 minute					
Weights and dimensions	Scan unit	Width	175 cm - 68.9 in			
		Depth (max)	360 cm - 141.8 in (with patient table w. stretcher)			
		Height	178 cm - 70.0 in			
		Gantry	58 cm - 22.8 in			
		Total weight	650 kg - 1433 lb (with patient table w. stretcher)			
Software	NNT™ with free viewer and sharing application					
Power Required	10A @100/115V~, 6,3A @200V~, 5A @ 220/230/240V~, 50/60 Hz					

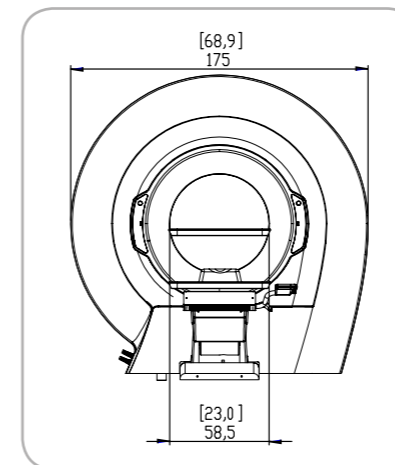
Specifications subject to change without prior notice.

NewTom Today's standard of care

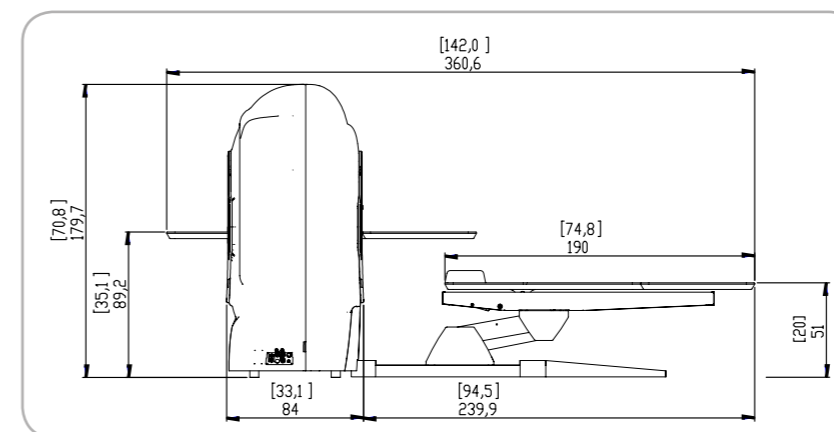
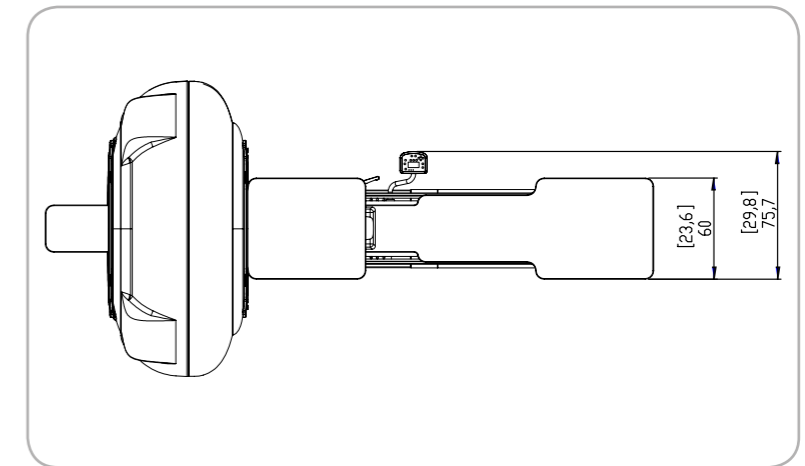
- > Free Viewer and Sharing Application
- > Full DICOM 3.0 Compliant
- > Improved Software Integration
- > Small Footprint



Dimensions in centimeters [dimensions in inches]



NewTom 5G with patient table



NewTom 5G with patient table w. stretcher

